

**Project Information**

Customer:  
**2019 NAU  
PCI Big Beam  
Team**

Job Name:  
**2019 NAU PCI  
Big Beam**

Location:  
2112 S Huffer Ln  
Flagstaff, AZ 86011



Job #:  
**8675309**

Designers: **Christian S.  
Jacob S.**

Detailer: **Seth M.**

PM: **Jordan Phelps**

Phone: (602) 402-2696

Email: jnp92@nau.edu

PE/Supervisor: **Dr. Joshua Hewes**  
Email: Joshua.Hewes@nau.edu

**Submittal Record**

Date: 02/14/19 Note: Initial Submission

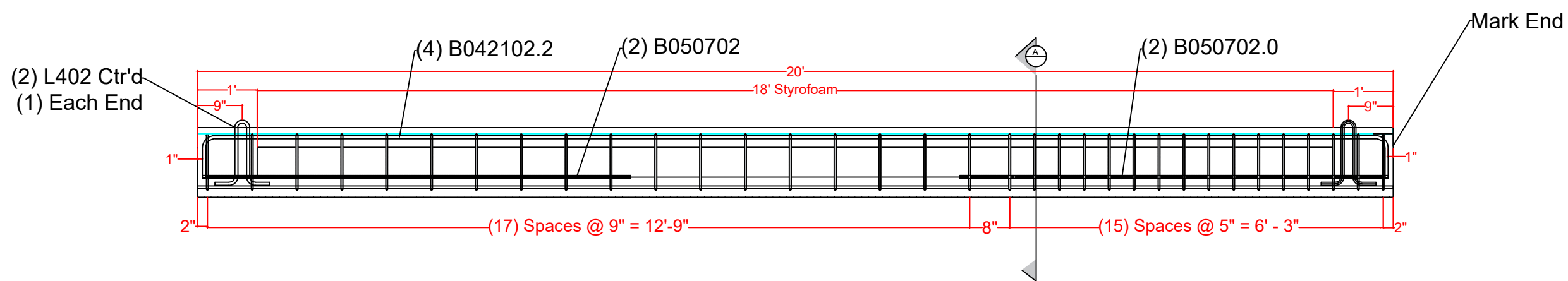
Date: 02/15/19 Note: Corrected Redlines

Date: 02/18/19 Note: Returned Edits

Date: 02/19/19 Note: Detailed Lifting Devices

Date: 00/00/00 Note:

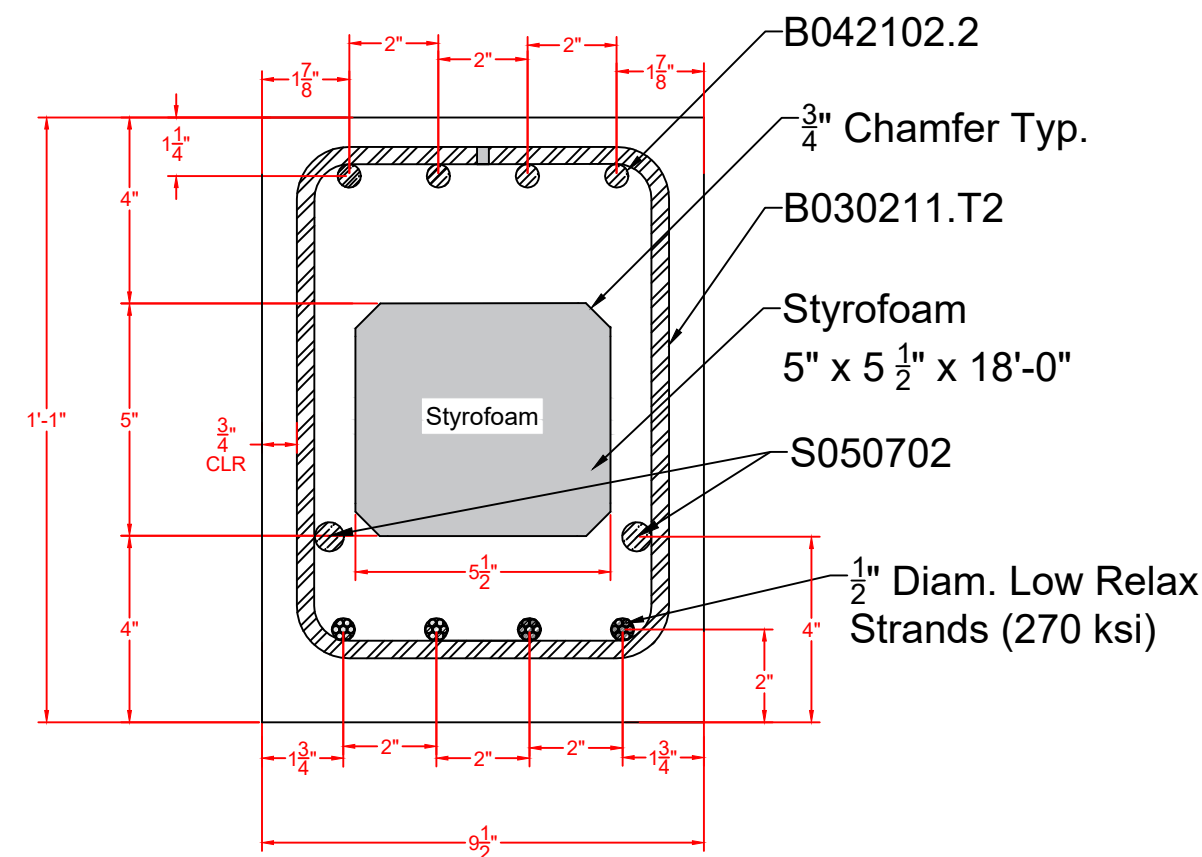
Shop Drawing **S1.1**



**Elevation View**

Weight: 2000 lb
Cubic Yards: 0.508
fci: 6000 psi
f'c: 8000 psi
Unit Weight: 144 pcf
Maximum Aggregate Diam.: 1/2 in
Strand Type: Low Relaxation
No. of Strands: (4) 1/2" $\phi$ Strand
Jacking Force/Strand: 31 kips/strand

Bill of Materials		
Item	Quantity	Dimensions
B042102.2	4	A: 8" B: 19' 10" C: 8"
B030310.T2	34	A: 4" B: 8" C: 11" D: 8" E: 11" F: 4"
S050702	4	7' 2"
L402	2	5/8" $\phi$ Strand x 3'
Styrofoam	1	5" x 5 1/2" x 18'-0"



**Typical Section View**